



ELMO

V.le Certosa 8/B - 27100 Pavia Italy
 Tel. + 39 382 529564 - 422372
 Fax. + 39 382 527041
 E-Mail: info@elmoitaly.com

Submersible motors Size 2 for hydraulic lifts suitable to be fit Settima Meccanica

special screw pumps with flow rate 1000 and 1200 liter with

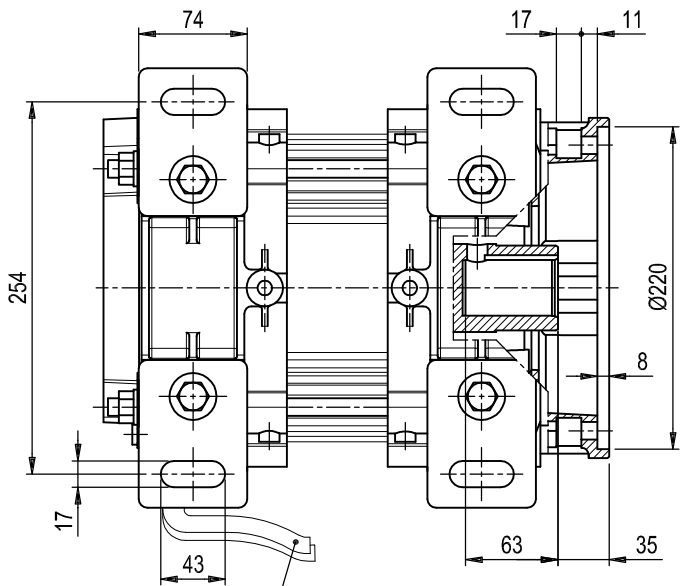
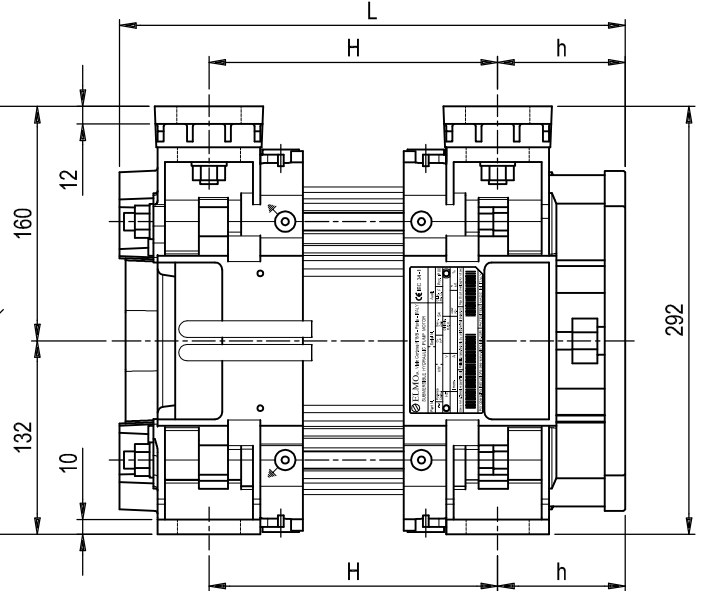
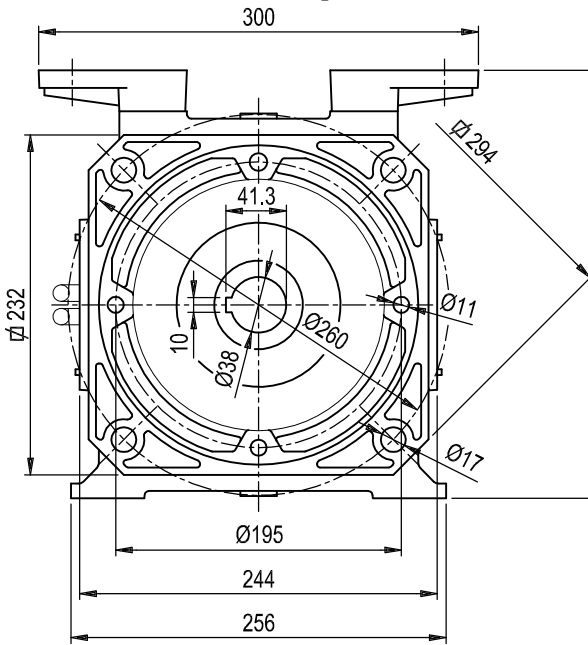
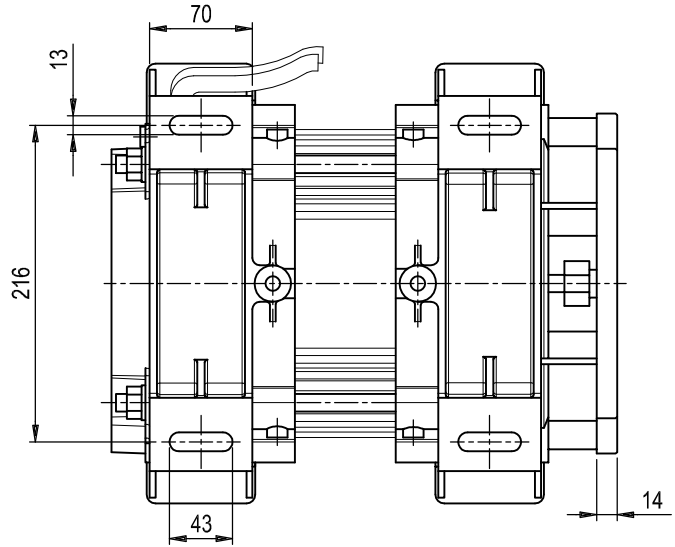
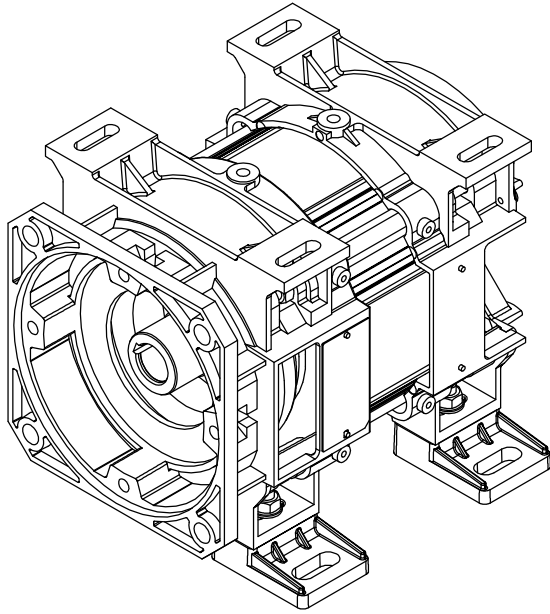
Shaft / hole $\varnothing 38$ mm Flange $\varnothing 220$ mm

50 Hz
 S794K - T - No.
 1701-17

MOTORI TRIFASI THREE PHASE MOTORS DREIPHASEENMOTOREN MOTEURS TRIPHASES

IN ANY MOMENT AND WITHOUT NOTICE ELMO CAN CHANGE MANUFACTURING PROCESS, PERFORMANCE FEATURES.

LA ELMO S.r.l. SI RISERVA IL DIRITTO DI APPORTARE QUALSIASI VARIAZIONE SENZA ALCUN PREAVVISO.



MOTORS WITHOUT FLYWHEEL

TIPO - TYPE	GRANDEZZA - ACCOPIAM. SIZE - SUITABLE TO	POLARITA' - POLES	SERIE - INTERVAL SERIES	POTENZA A 50 Hz NOMINAL OUTPUT AT 50 Hz		TRIFASE - THREE PHASE	TENSIONE VOLTAGE	50 Hz - CYCLES AT 50 Hz	ATTACCHI - FEET TERMINALI - LEAD TERMINAL	DIMENSIONI DIMENSION			POTENZA A 50 Hz NOMINAL OUTPUT AT 50 Hz			
				kW	HP					L	h	H		HP		
S	7	9	4	K	1	3	2	T	N	9	360	87	212	1	8	-
					1	5	0				375		227	2	0	-
					1	8	5				395		247	2	5	-
					2	2	-				420		272	3	0	-
					3	0	-				460		312	4	0	-
					3	7	-				510		362	5	0	-
					4	5	-				565		417	6	0	-
					5	5	-				615		467	7	5	-

m. 2.0 LUNGH. STANDARD CAVI ALIMENTAZIONE
 STANDARD LEADS LENGTH