



ELMO

V.le Certosa 8/B - 27100 Pavia Italy
 Tel. + 39 382 529564 - 422372
 Fax. + 39 382 527041
 E-Mail: info@elmoitaly.com

MOTORI IMMERSI PER ASCENSORI IDRAULICI
 SUBMERSIBLE MOTORS FOR HYDRAULIC LIFTS

UNTEROELMOTOREN FÜR HYDRAULISCHE AUFZUEGE

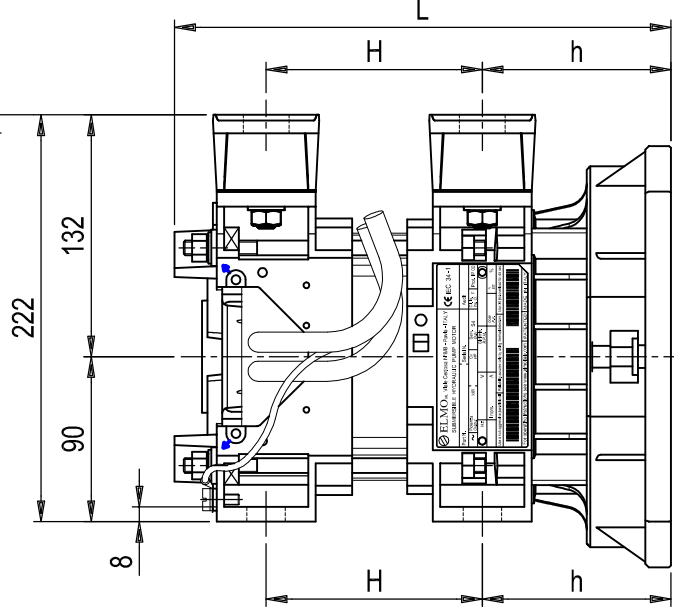
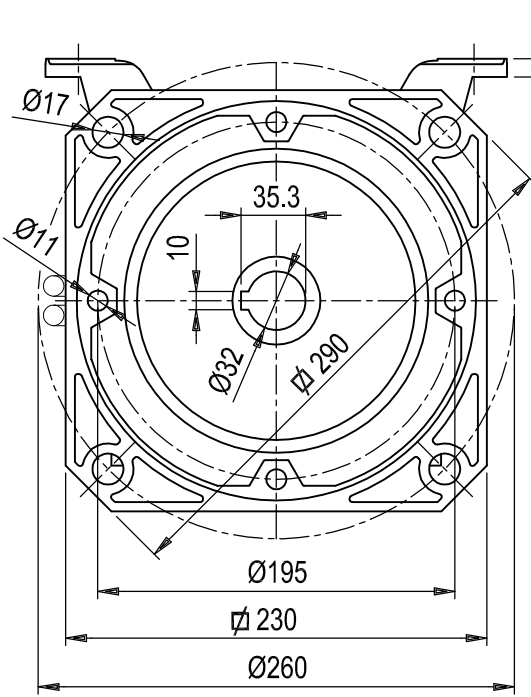
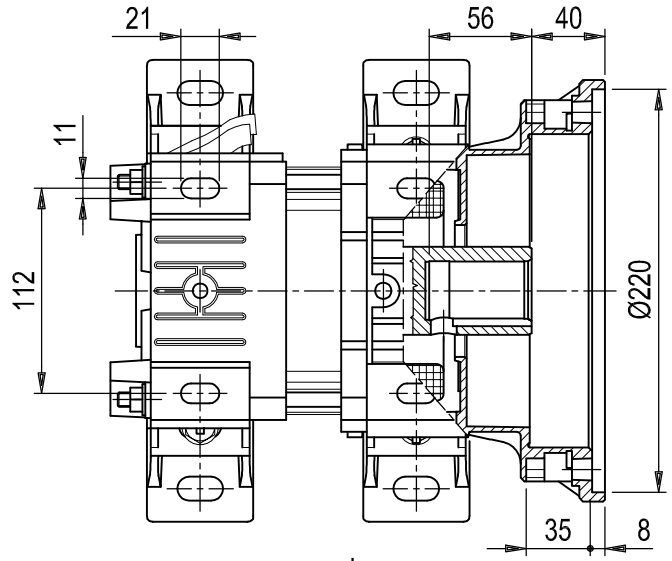
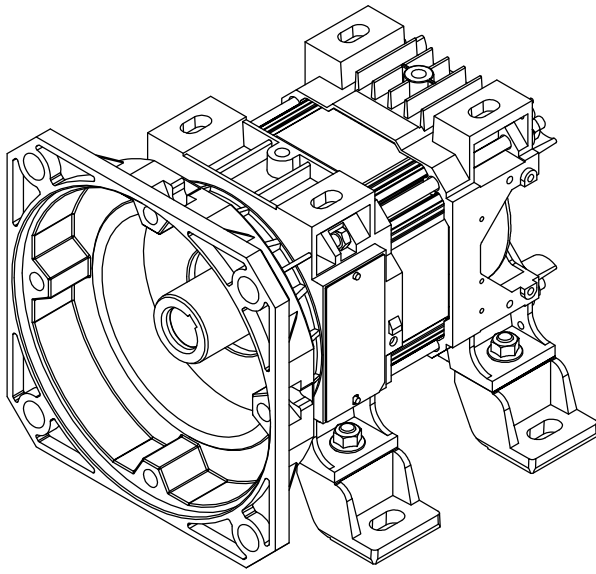
MOTEURS IMMERGÉS DANS L'HUILE POUR ASCENSEURS HYDRAULIQUES

MOTORI TRIFASI THREE PHASE MOTORS DREIPHASEENMOTOREN MOTEURS TRIPHASES

50 Hz
 S364 - T - N8 -
 1706-07

LA ELMO S.r.l. SI RISERVA IL DIRITTO DI APPORTARE QUALSIASI VARIAZIONE SENZA ALCUN PREAVVISO.

IN ANY MOMENT AND WITHOUT NOTICE ELMO CAN CHANGE MANUFACTURING PROCESS, PERFORMANCE FEATURES.



MOTORS WITHOUT FLYWHEEL

C3	TIPO - TYPE	C3	GRANDEZZA - ACCOPPIAM. SIZE - SUITABLE TO	P	POTENZA A 50 Hz NOMINAL OUTPUT AT 50 Hz	T	TRIFASE - THREE PHASE	V	TENSIONE VOLTAGE	N	50 Hz - CYCLES AT 50 Hz	8	ATTACCHI - FEET TERMINALI - LEAD TERMINAL	DIMENSIONI		POTENZA A 50 Hz NOMINAL OUTPUT AT 50 Hz	
														L	h		H
4	4	4	4	4	4	4	4	4	4	4	4	4	4	340	103	188	5.5
8	8	8	8	8	8	8	8	8	8	8	8	8	8	355	103	203	6.5
12	12	12	12	12	12	12	12	12	12	12	12	12	12	370	103	218	7.5
16	16	16	16	16	16	16	16	16	16	16	16	16	16	390	103	238	9.0
20	20	20	20	20	20	20	20	20	20	20	20	20	20	415	103	263	10.0
25	25	25	25	25	25	25	25	25	25	25	25	25	25	440	103	288	12.5
30	30	30	30	30	30	30	30	30	30	30	30	30	30	440	103	288	15.0

m.1.40 LUNGH. STANDARD CAVI ALIMENTAZIONE
 STANDARD LEADS LENGTH