



# ELMO

V.le Certosa 8/B - 27100 Pavia Italy

Tel. ++39 382 529564 - 422372

Fax. ++39 382 527041

E-Mail: info@elmoitaly.com

SUBMERSIBLE MOTORS FOR HYDRAULIC LIFTS

UNTEROELMOTOREN FUER HYDRAULISCHE AUFZUEGE

MOTORI IMMERSI PER ASCENSORI IDRAULICI

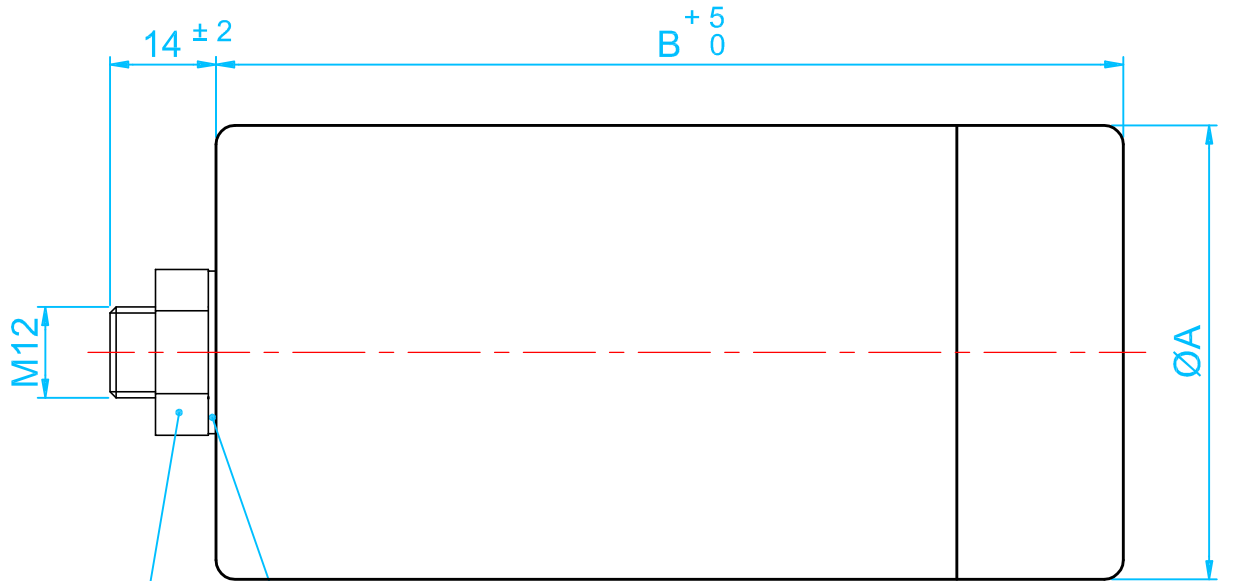
Tab. S-Cap. 1010-22 ✓

IN ANY MOMENT AND WITHOUT NOTICE ELMO CAN CHANGE MANUFACTURING PROCESS, PERFORMANCE FEATURES.

## TABLE CAPACITOR for: 2 Poles - Single Phase Motors - Size 3 - With Flywheel

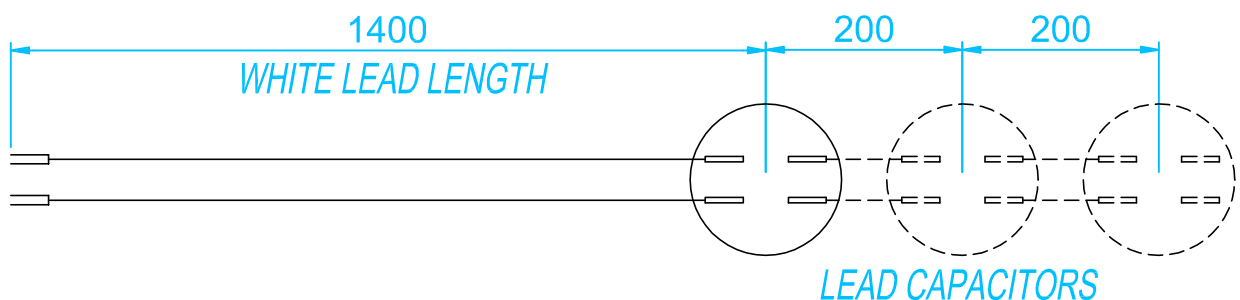
VOLTAGES	NOMINAL OUTPUT		Q.TY, COMBINATION AND CAPACITORS' TYPE	TOTAL CAP. VALUE			CAPACITORS' DIMENSIONS (mm)		
				$\mu\text{F}$	A	B	A	B	
	HP	KW		$\mu\text{F}$ 450V <sub>o</sub>					
230 V 50 Hz	3	2,2	N°1 100 $\mu\text{F}$	100	55	155			
	4	2,9	N°1 60 $\mu\text{F}$	130	55	120			
			N°1 70 $\mu\text{F}$						
	5	3,7	N°1 70 $\mu\text{F}$	150	55	155			
			N°1 80 $\mu\text{F}$						
	6,5	4,8	N°2 100 $\mu\text{F}$	200	55	155			
8	6	N°3 80 $\mu\text{F}$	240	55	155				

VOLTAGES	NOMINAL OUTPUT		Q.TY, COMBINATION AND CAPACITORS' TYPE	TOTAL CAP. VALUE			CAPACITORS' DIMENSIONS (mm)		
				$\mu\text{F}$	A	B	A	B	
	HP	KW		$\mu\text{F}$ 450V <sub>o</sub>					
60 Hz	2	1,5							
	2,4	1,8							
	3,6	2,6							
	5	3,7	N°1 70 $\mu\text{F}$ N°1 80 $\mu\text{F}$	150	55	155			
220 - 230 V	6	4,4	N°1 70 $\mu\text{F}$ N°1 100 $\mu\text{F}$	170	55	155			
	8	6							
	10	7,4	N°2 80 $\mu\text{F}$ N°1 100 $\mu\text{F}$	260	55	155			



External toothed lock washer Ø12.6 DIN 6797 A

Thin hexagon nut M12 DIN 936



WHITE LEAD LENGTH

LEAD CAPACITORS

LA ELMO S.r.l. SI RISERVA IL DIRITTO DI APPORTARE QUALSIASI VARIAZIONE SENZA ALCUN PREAVVISO.