



ELMO

V.le Certosa 8/B - 27100 Pavia Italy
 Tel. + 39 382 529564 - 422372
 Fax. + 39 382 527041
 E-Mail: info@elmoitaly.com

AIR MOTORS FOR HYDRAULIC LIFTS
 DIE MOTOREN AN DER LUFT FÜR HYDRAULISCHE AUFZÜGE
 MOTORI IN ARIA PER ASCENSORI IDRAULICI

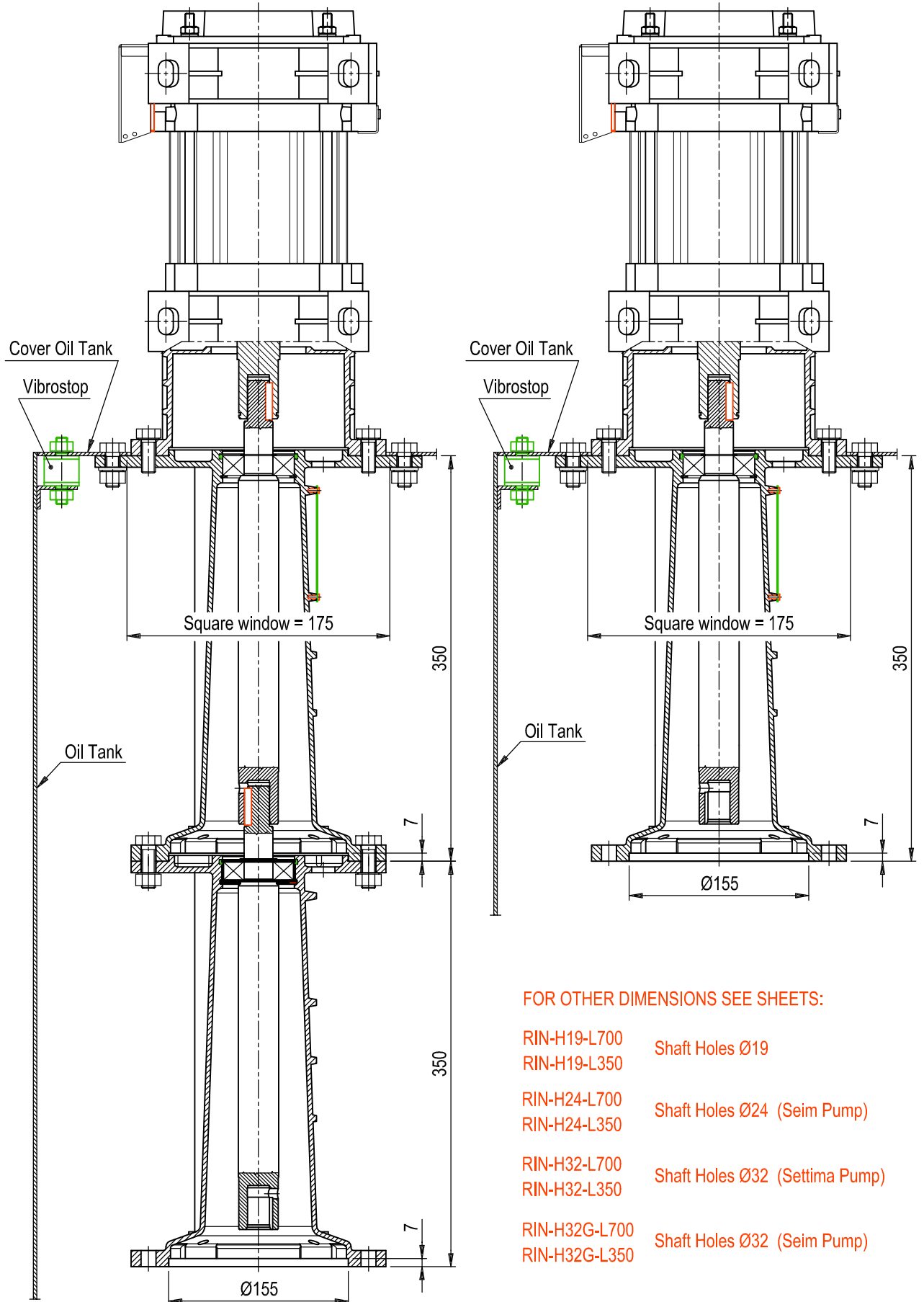


Elmo
 DEMO - RIN-Sez
 1111-24

MOTORI TRIFASI THREE PHASE MOTORS DREIPHASEENMOTOREN MOTEURS TRIPHASES

IN ANY MOMENT AND WITHOUT NOTICE ELMO CAN CHANGE MANUFACTURING PROCESS, PERFORMANCE FEATURES.

LA ELMO S.r.l. SI RISERVA IL DIRITTO DI APPORTARE QUALSIASI VARIAZIONE SENZA ALCUN PREAVVISO.



FOR OTHER DIMENSIONS SEE SHEETS:

- RIN-H19-L700 Shaft Holes Ø19
- RIN-H19-L350
- RIN-H24-L700 Shaft Holes Ø24 (Seim Pump)
- RIN-H24-L350
- RIN-H32-L700 Shaft Holes Ø32 (Settima Pump)
- RIN-H32-L350
- RIN-H32G-L700 Shaft Holes Ø32 (Seim Pump)
- RIN-H32G-L350